

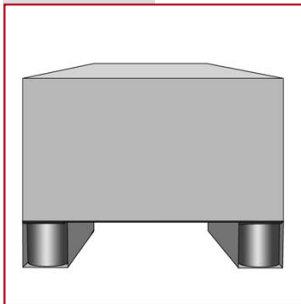
# Safety instructions

## Applicable to all romwell pallet skids

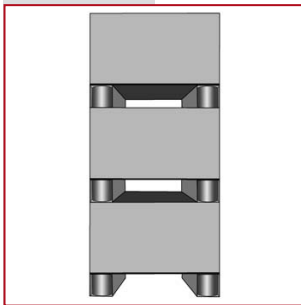


- Use romwell pallet skids in accordance with the operating instructions and usage instructions. These can be downloaded from our website under "downloads, transport".
- Always ensure that the box is of good quality.
- The total weight must not exceed the specified load-bearing capability of the pallet skids under any circumstances.
- Only place into storage in high-bay warehouses using intermediate bases or load-bearing wooden pallets

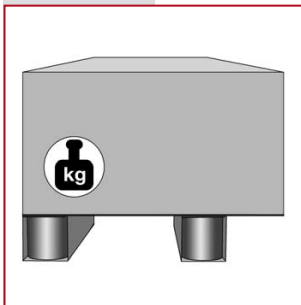
### Correct



When applying pallet skids, high shipping unit stability must be ensured. The greatest carrying capacity is located in the area of the vertical box walls. The skids should therefore be positioned as flush with the outer wall as possible.

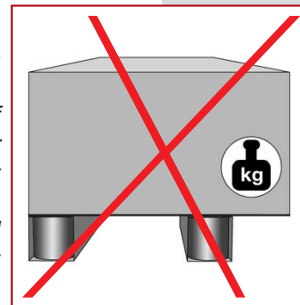
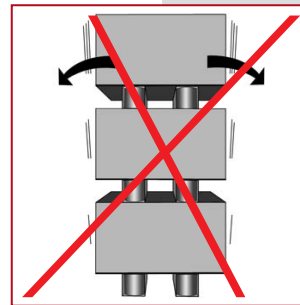
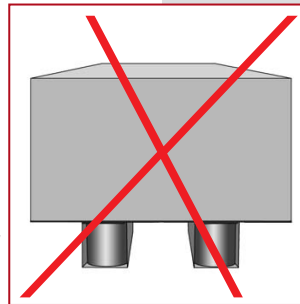


Particular attention must be paid to stability when stacking several boxes. The relevant base must be sufficiently stable.



If skids are offset inwards, attention must be paid to the shipping unit's centre of gravity – in addition to the quality of the box. This must not lie over or outside of the outer pallet skid under any circumstances. The centre of gravity should be located centrally and low down.

### Incorrect



# Safety